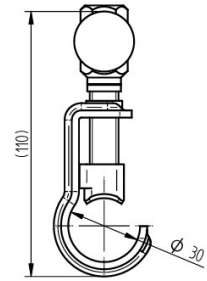




ELIT AVISOL-HVC85

Stripping tool for HVC-85



Cutting tool to expose the contact surface of the HVC-85 conductor

Technical description

Manual cutting tool to expose the contact surface for mounting the equipotential bonding clamp on the HVC-85 conductor.

Material: stainless steel V2A / hardened steel

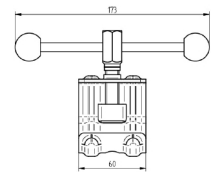
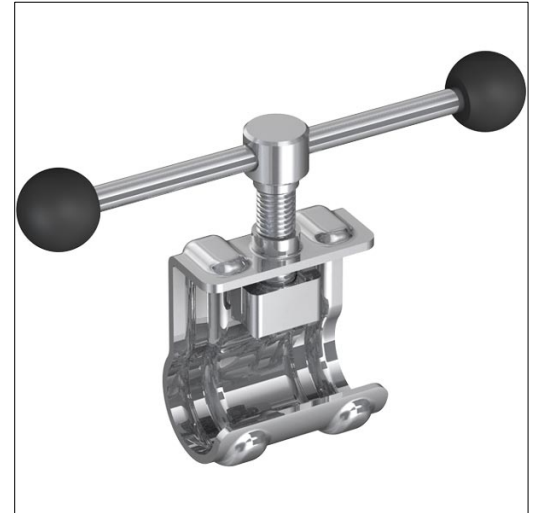
Weight: 382 g

Advantages:

Cutting tool to expose the contact surface of HVC-85 conductor

Specially adapted tool with ergonomic vice

Made of hardened and stainless steel



Product name/ Art.nr/ GTIN	ELIT AVISOL-HVC85/ 80100092/ 7070810030163
According to:	N/A
Length	110 Millimetre
Strip range cross-section	615,75 - 615,75 Square millimetre
Strip range diameter	28 - 28 Millimetre
Strip length adjustable	Yes
Depth of notch adjustable	Yes
Jaw length	30 Millimetre
Head width	60 Millimetre
Round edge	Yes
With wire cutter	Yes
Handle cover	Other
Grip design	Other
Surface protection	Plastic-coated
Surface treatment	Other
Weight	382 Gram